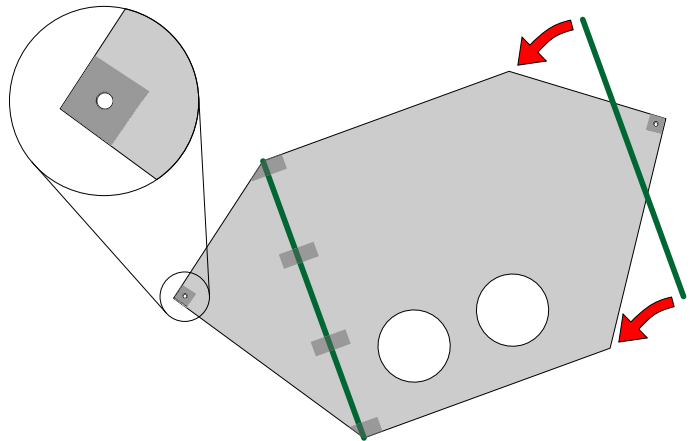


Making a Sled Kite

1
Cut out the sail and tail from a bin bag or plastic sheet.

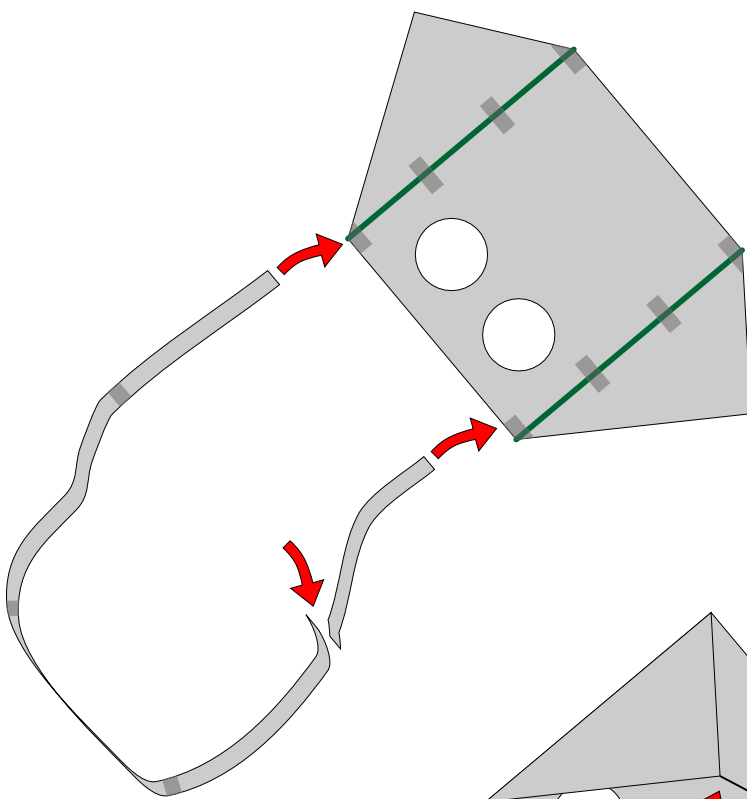
2
Reinforce the corners of the sail with sellotape and punch a hole for the bridle. Or strengthen afterwards with ring-binder reinforcements.



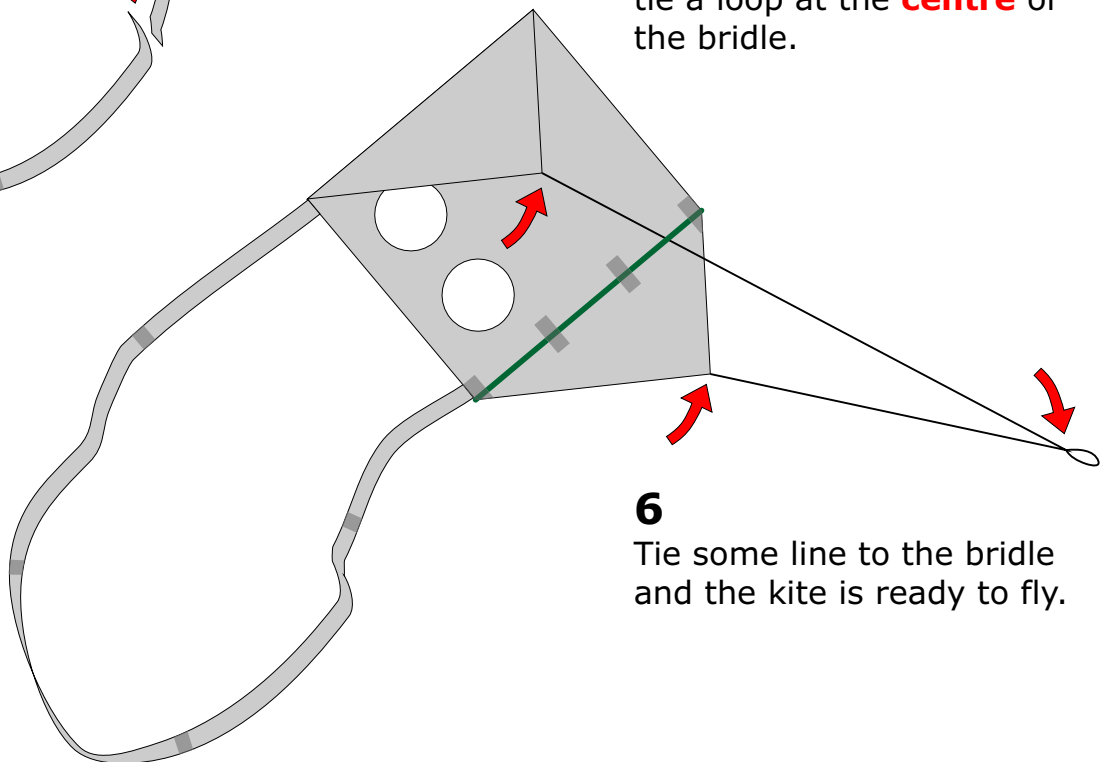
3
Lay the sail flat and fix the sticks to the sail.

4
Stick enough sections of 'tail' together to make it four times the height of the kite and then stick the tail to the kite.

5
Tie each end of the bridle to both of the 'wings' and then tie a loop at the **centre** of the bridle.



6
Tie some line to the bridle and the kite is ready to fly.



Sled Kite

Make out of practically anything

- Old bin bags (well new ones - they smell less)
- A couple of sticks (they need to be fairly straight)
- Some string and sellotape

Scale it up or down - it will still fly

Cut the left-over piece of bin bag into strips for the tail

A standard bin bag will make two kites this size.

The holes are optional, but they help the kite fly in a strong wind.

Loop tail about 35mm wide

more kite stuff at www.reeddesign.co.uk

